

CONDUIT

MIDI hub

USER MANUAL

strymon[®]

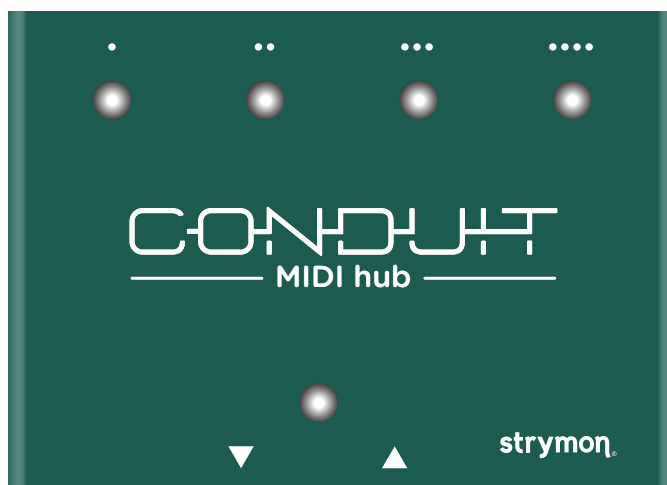
Table of Contents

Modes of Operation	
Controls and Connections	
Front Panel	
Rear Panel	
1/4" TRS Jack Configurations	
Configuring 1/4" TRS Jacks for Non-Strymon Pedals	
Connections	
MIDI Distribution for a Pedalboard	
Connecting Two Pedals to a Single 1/4" TRS Jack	
Using Conduit with a Computer	
Pedalboard Mounting Instructions	
Features and Specifications	
Appendix 1: Standalone	
Cable Connections	
Data Flow	
Appendix 2: USB MIDI Interface	
Cable Connections	
Data Flow	
Strymon Non-Transferrable Limited Warranty	

Modes Of Operation

.....

Conduit operates in two distinct modes: Standalone and USB MIDI Interface modes.



Standalone Mode

Conduit always operates in Standalone mode unless it is connected to a computer via the **USB-C** port. This mode is used for distributing MIDI data received at the DIN **MIDI IN** to the 1/4" TRS jacks and the DIN **MIDI OUT** port. A common example of this is connecting a MIDI controller to the DIN **MIDI IN** of Conduit which distributes the MIDI data out to the 1/4" TRS jacks and DIN **MIDI OUT** port.

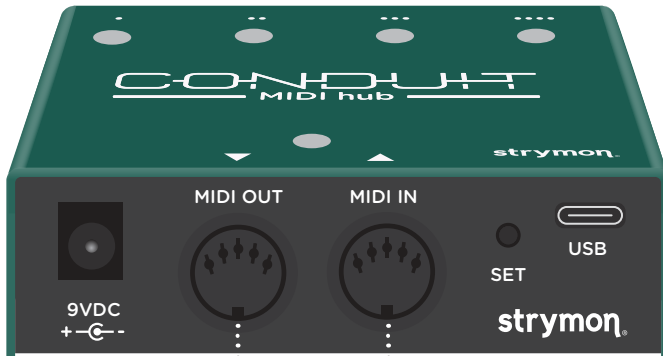
(See Appendix 1 starting on [page 19](#) for details.)

USB MIDI Interface Mode

Conduit enters USB MIDI Interface mode when it is connected to a computer via the **USB-C** port. When USB is connected, Conduit will expose each of the TRS jacks and the 5-pin DIN pair as an independent MIDI device.

(See Appendix 2 starting on [page 22](#) for details.)

Controls and Connections – Front Panel



DIN MIDI IN/OUT Ports

The 5-pin DIN **MIDI IN** port receives MIDI data from an external source such as a MIDI controller or MIDI interface. Data is sent to all four 1/4" TRS jacks and the DIN **MIDI OUT** port when Conduit is powered via 9V DC connection. All MIDI data sent back from 1/4" TRS connected pedals is merged and sent to the **MIDI OUT** port when Conduit is not connected to a computer via USB.

NOTE: When **USB** is connected, MIDI data received at the 1/4" jacks from the connected pedals and from the DIN **MIDI IN** is sent to the connected computer via its own independent MIDI port and is no longer merged to the **MIDI OUT** port.

(See [page 15](#) for details.)

Controls and Connections – Front Panel (cont.)

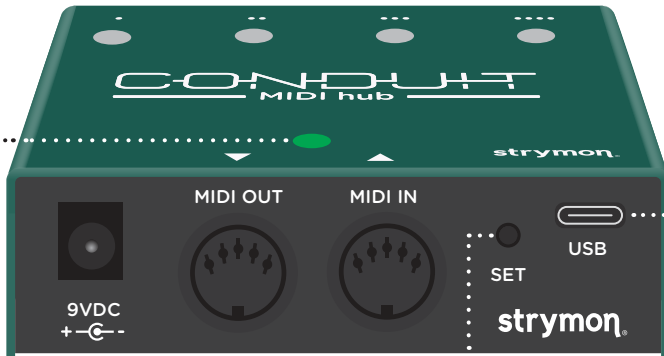
STATUS LED for MIDI IN/OUT Ports

Status LED lights up **GREEN** to indicate Conduit is powered on and will flash **AMBER** when MIDI data is passing through Conduit to the 1/4" TRS jacks.

USB

Used for computer connectivity. Remove **USB** connection when sending MIDI data to the DIN **MIDI IN** port to be distributed to the 1/4" TRS jacks.

(See page 15 for details.)



9VDC

Use an adapter with the following rating: 9VDC center negative, 50mA minimum.

SET

At startup, button can be used for setting TRS MIDI I/O jack configuration.

(See page 7 for details.)

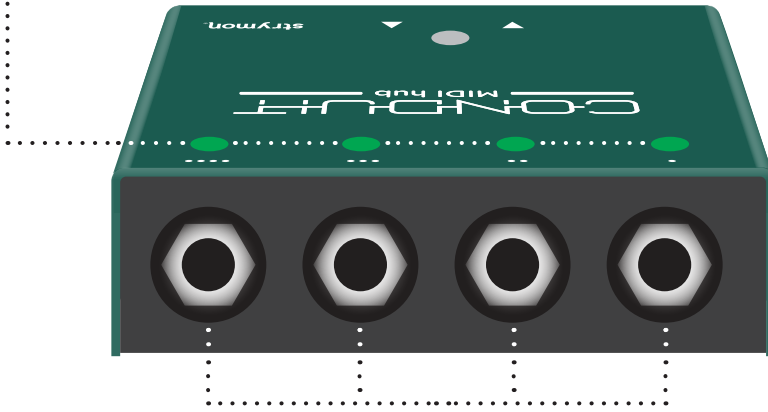
NOTE: Power supply is not required when powered by USB. The 9V can remain connected without drawing additional power.

NOTE: The **SET** button can be pressed at any time to show the configuration state of all 1/4" TRS jacks.

Controls and Connections – Rear Panel

ACTIVITY LEDs

Activity LEDs will blink the color of the selected mode when MIDI data is present at a 1/4" TRS jack.



1/4" TRS MIDI I/O Jacks 1-4

1/4" TRS MIDI I/O jacks 1-4 are capable of sending and receiving MIDI data, which can be configured to work with a variety of different 1/4" MIDI communication modes.

(See [page 7](#) for details.)

1/4" TRS Jack Configurations

Out of the box, Conduit's 1/4" TRS MIDI jacks are configured to work with Strymon pedals with no further setup necessary. If you are using Conduit with non-Strymon pedals, you may need to change the configuration of one or more of the 1/4" TRS jacks.

(See [page 8](#) for details.)

Press the **SET** button at any time to show the configuration state of all 1/4" TRS jacks:

GREEN = Tip Send (default setting — use for Strymon pedals)
Conduit sends MIDI at the TIP and receives at the RING.

RED = Ring Send
Conduit sends MIDI at the RING and receives at the TIP.

AMBER = Tip and Ring Send
Conduit sends MIDI at both the TIP and the RING.

NOTE: This mode can be used to connect two pedals to a single 1/4" TRS jack.

(See [page 13](#) for details.)

PURPLE = TRS TYPE A
Conduit sends MIDI OUT only with the RING as the current source and TIP as the current sink.

NOTE: If you are using Conduit with non-Strymon pedals, visit strymon.net/support/conduit to find out which 1/4" TRS jack configuration will work with your specific pedals.

Configuring 1/4" TRS Jacks for Non-Strymon Pedals

- 1 Press and hold the **SET** button while connecting power to Conduit to enter TRS jack configuration. All five LEDs will blink to indicate TRS jack configuration. The four 1/4" TRS jack LEDs will blink with a color indicating their current configuration:

GREEN = Tip Send

RED = Ring Send

AMBER = Tip and Ring Send

PURPLE = TRS TYPE A



PRESS AND HOLD

Configuring 1/4" TRS Jacks for Non-Strymon Pedals (cont.)

- Release the **SET** button. To change the jack configuration, plug a cable into the desired jack and then unplug it. The LED color will change to indicate the new configuration mode.

GREEN = Tip Send

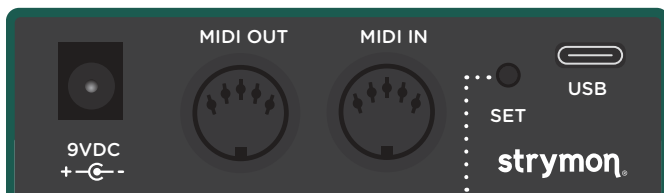
RED = Ring Send

AMBER = Tip and Ring Send

PURPLE = TRS TYPE A



- Once all TRS jacks are configured, press the **SET** button to save and exit the TRS jack configuration.



Connections – MIDI Distribution for a Pedalboard

The most common use for Conduit is for distributing MIDI messages from a MIDI controller to pedals that are connected via 1/4" cables (included) and 5-pin DIN MIDI cables (not included).

Follow the steps below when using Conduit to distribute MIDI messages from a MIDI controller connected to the DIN **MIDI IN**.

- 1 Connect a power supply (not included) that provides 9V DC center-negative power and at least 50mA of current to the 9VDC power input. When Conduit powers up, the LEDs will light up to show that the device is powered. The color of the four ACTIVITY LEDs will show the current TRS Jack configuration.

(See [page 7](#) for details on output configurations.)



NOTE: For non-Strymon pedals the corresponding TRS jack may need to be configured.

(See [page 8](#) for details.)

Connections – MIDI Distribution for a Pedalboard (cont.)

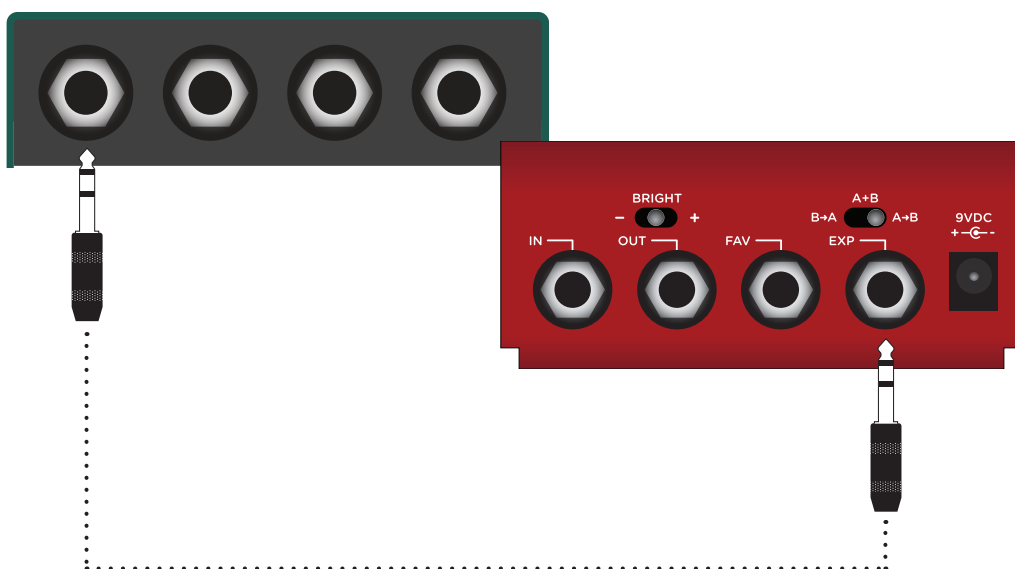
- 2 Connect a 5-pin DIN MIDI cable (not included) from the **MIDI OUT** port of your MIDI controller or MIDI interface to the **MIDI IN** port on Conduit.



Connections – MIDI Distribution for a Pedalboard (cont.)

- 3 Connect one of the included 1/4" TRS cables to one of the 1/4" I/O jacks on Conduit. Connect the other end to the 1/4" MIDI control input on your pedal. On compatible Strymon pedals, connect to the **EXP** or **MIDI** jack set to MIDI mode.

(See your pedal's user manual for detailed instructions.)



- 4 Configure the connected pedal to communicate on the desired MIDI channel. All MIDI channels are broadcast to all outputs.

(See your pedal's user manual for detailed instructions.)

- 5 If the connected pedal has the ability to send MIDI OUT, you may want to set this to off unless bi-directional communication is desired.

(See your pedal's user manual for detailed instructions.)

NOTE: When Conduit is not connected to a computer via USB, all MIDI data received at the 1/4" jacks from the pedals will be merged and sent to the 5-pin DIN MIDI port.

Connections – Connecting Two Pedals to a Single 1/4" TRS Jack

The Tip and Ring Send jack configuration can be used in conjunction with a TRS splitter cable (not included) to send MIDI data to the Tip of two 1/4" cables. This TRS jack configuration can be used to control two pedals that receive MIDI at the Tip of a TRS connection from a single 1/4" TRS jack on Conduit.

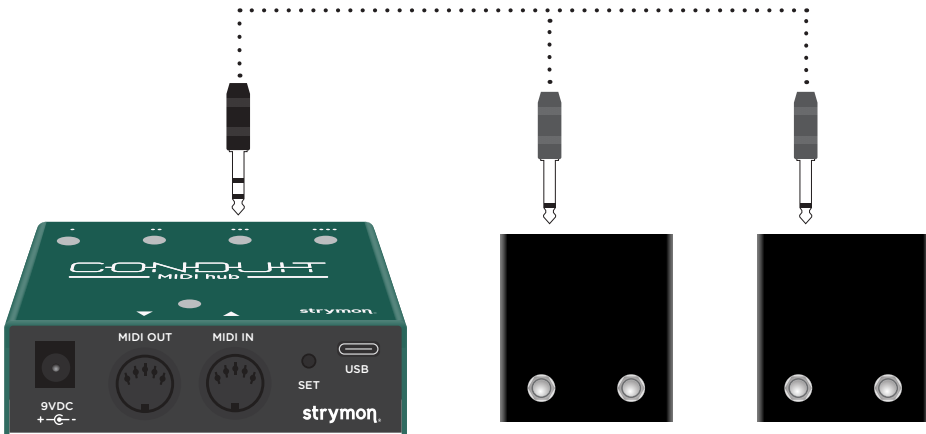
NOTE: All 1/4" MIDI enabled Strymon pedals receive MIDI from the Tip of a TRS connection. If you are using non-Strymon pedals, visit strymon.net/support/conduit to confirm that the pedals used with the Tip and Ring Send jack configuration receive MIDI at the Tip of a 1/4" cables.

- 1 Configure the desired 1/4" TRS jack for Tip and Ring Send (**AMBER** jack LED) jack configuration.
(See [page 7](#) for details.)
- 2 Connect the TRS end of a TRS splitter cable (not included) to the jack set to Tip and Ring Send jack configuration.



Connections – Connecting Two Pedals to a Single 1/4" TRS Jack (cont.)

- 3 Connect the other ends of the TRS splitter cable to the 1/4" MIDI jacks on the desired pedals.



- 4 Configure the connected pedals to receive MIDI via TRS on the desired MIDI channel.

(See your pedal's user manual for detailed instructions.)

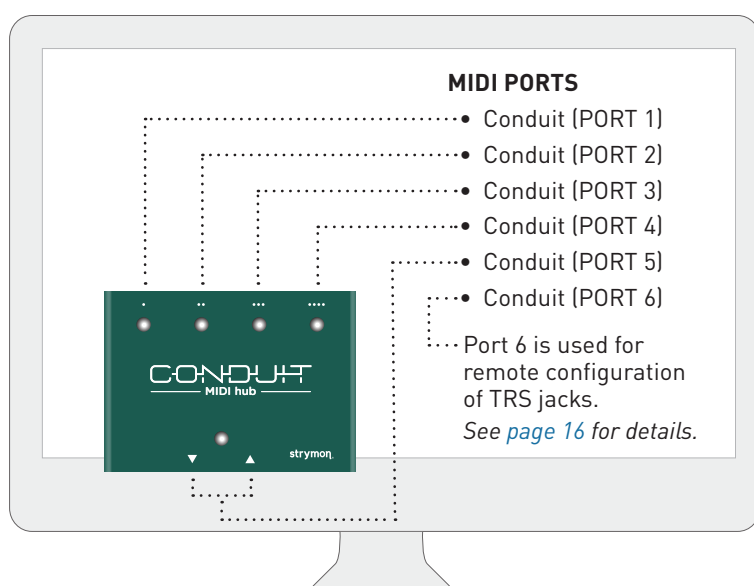
NOTE: This mode disables bidirectional communication with the connected pedals - the connected pedals will only receive MIDI data.

Using Conduit with a Computer

Conduit can also be used as a MIDI interface to connect devices to your computer by using the included USB C cable.

When USB is connected, the computer will recognize 6 MIDI I/O ports, allowing bidirectional communication with each connected device.

- Conduit MIDI Ports **1-4** correspond with the 1/4" TRS jacks numbered 1-4.
- Conduit MIDI Port **5** corresponds with the 5-pin DIN **MIDI IN/ MIDI OUT** ports.
- Conduit MIDI Port **6** will appear as a background USB communication port.

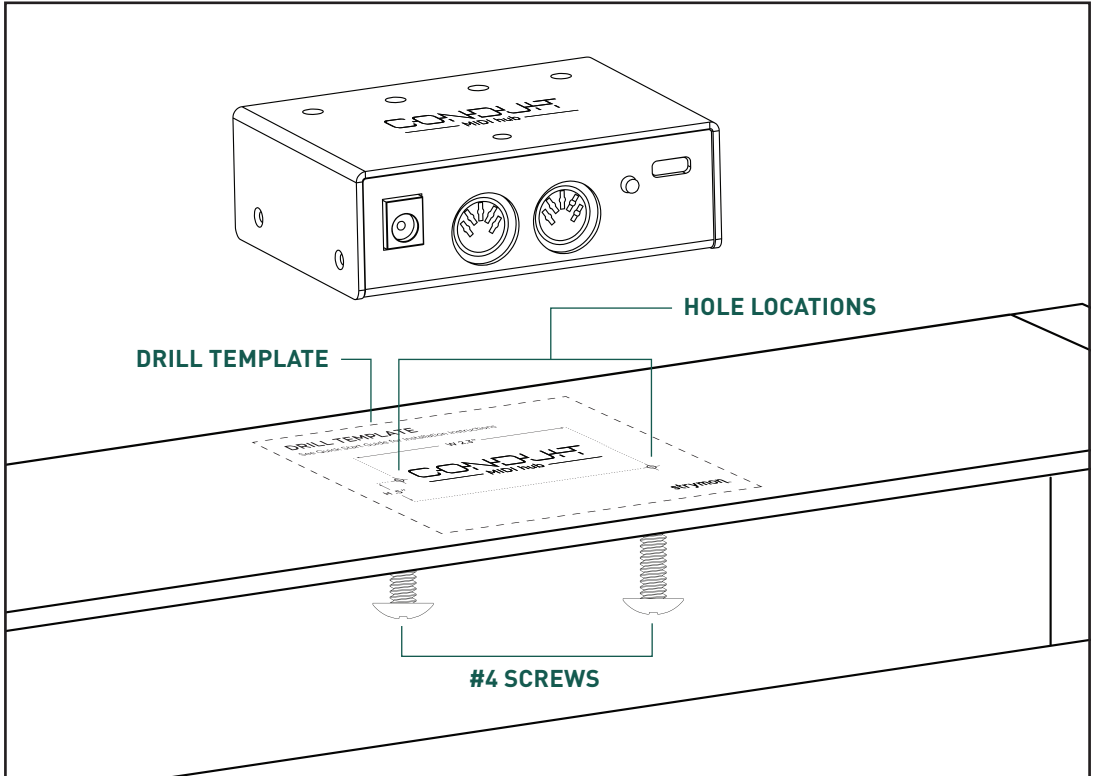


The diagram above shows how the MIDI ports corresponding to each of the devices connected to Conduit will show up in your computer/DAW.

Note: All 1/4" MIDI enabled Strymon pedals support bidirectional MIDI communication. Check strymon.net/support/conduit to see which non-Strymon 1/4" MIDI enabled pedals support bidirectional MIDI communication.

Pedalboard Mounting Instructions

Conduit features built-in threaded hardware for easy mounting on the top or bottom of most pedalboards.



1 Choose your MOUNTING location

Tape the Drill Template (included and available for download at strymon.net/support) logo side up in the location you want to install your Conduit.

This illustration shows mounting on the top of your pedalboard.

2 Drill holes

Drill through the two marked hole locations with a 1/8" (3mm) bit.

3 Attach Conduit

Place Conduit over the holes. Install from the reverse side of your pedalboard using #4-40 3/8" screws (included).

MIDI Specifications

.....

MIDI CC NUMBERS FOR TRS JACK CONFIGURATION

You can change the TRS jack configuration of Conduit remotely by sending the following MIDI messages via Conduit Port 6 from your computer when connected via USB.

MIDI CC 1 = Jack 1

MIDI CC 2 = Jack 2

MIDI CC 3 = Jack 3

MIDI CC 4 = Jack 4

Value 0 = Tip Send

Value 1 = Ring Send

Value 2 = Tip & Ring Send

Value 3 = TRS Type A

Features

.....

- One opto-isolated 5-pin DIN MIDI interface (IN and OUT ports)
- Four independent isolated 1/4" TRS bi-directional MIDI ports
- Five MIDI status indicator LEDs
- USB Type-C connector
- Lightweight, compact anodized aluminum chassis with threaded mounting hardware
- Designed and built in the USA

Specifications

.....

Power Adapter Requirements	9VDC center negative; 50mA minimum
Weight	5 oz; 141 g
Dimensions	2.63" deep x 3.5" wide x 1.2" tall (7.2 cm deep x 9 cm wide x 3.048 cm tall)

What's in the Box

.....

- Conduit MIDI hub
- Four (4) 18" right-angle to straight TRS cables
- One USB Type-C to USB-A Male cable
- Drill Template
- Two (2) #4-40 3/8" screws
- Four (4) rubber feet
- Quick Start Guide
- Strymon sticker

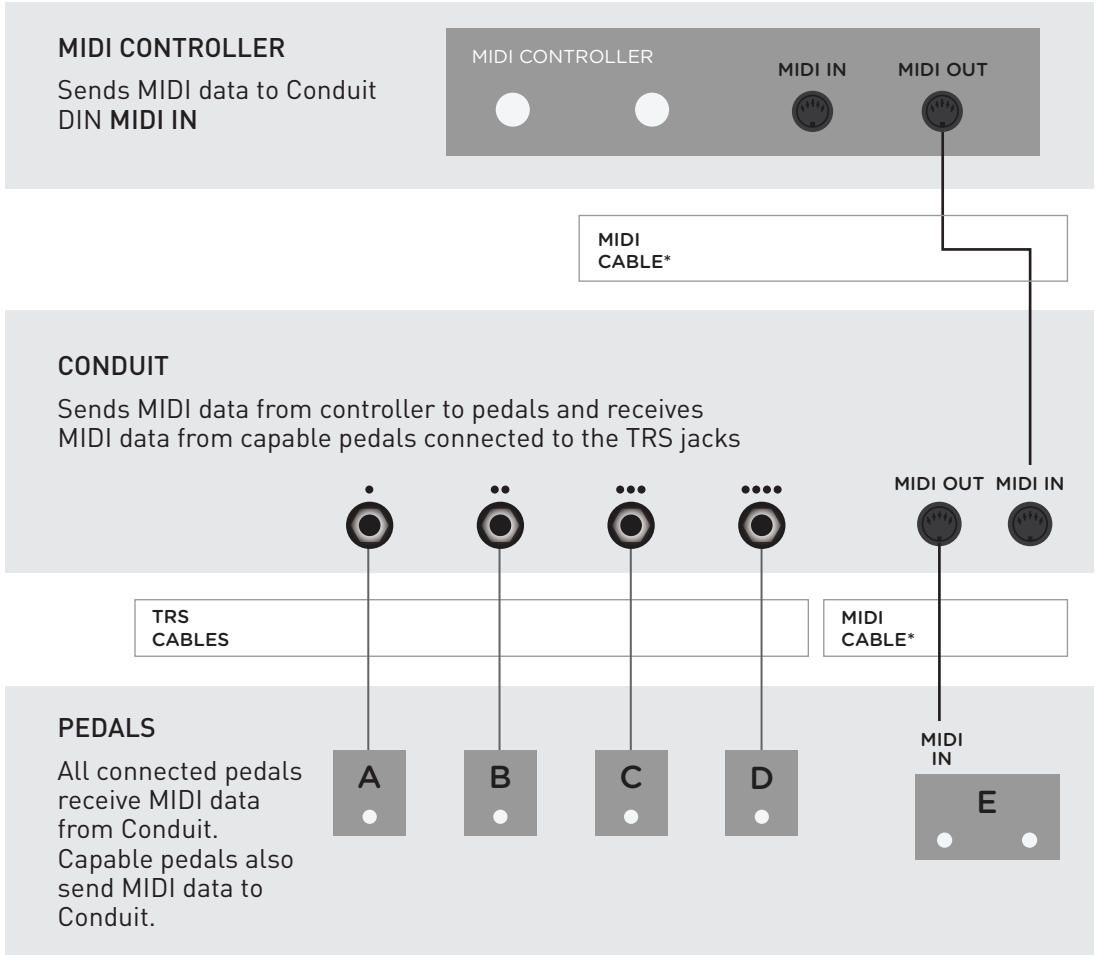
Appendix 1

Standalone

Without USB Connection

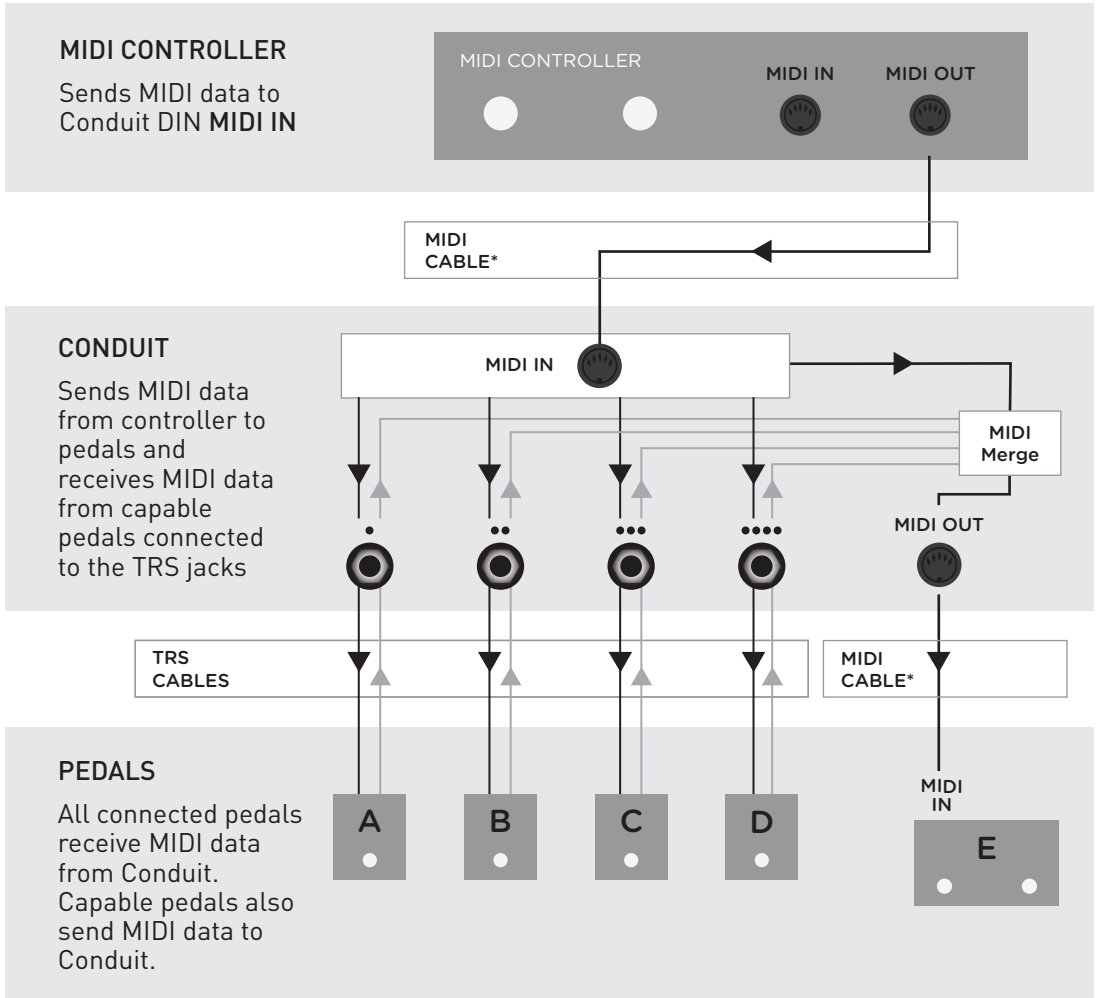
Appendix 1: Standalone - Cable Connections

The diagram below illustrates the cable connections when using Conduit as a MIDI distribution box without a USB connection.



Appendix 1: Standalone - Data Flow

The diagram below illustrates the flow of MIDI data when using Conduit as a MIDI distribution box without a USB connection.



*NOTE: MIDI cables not included.

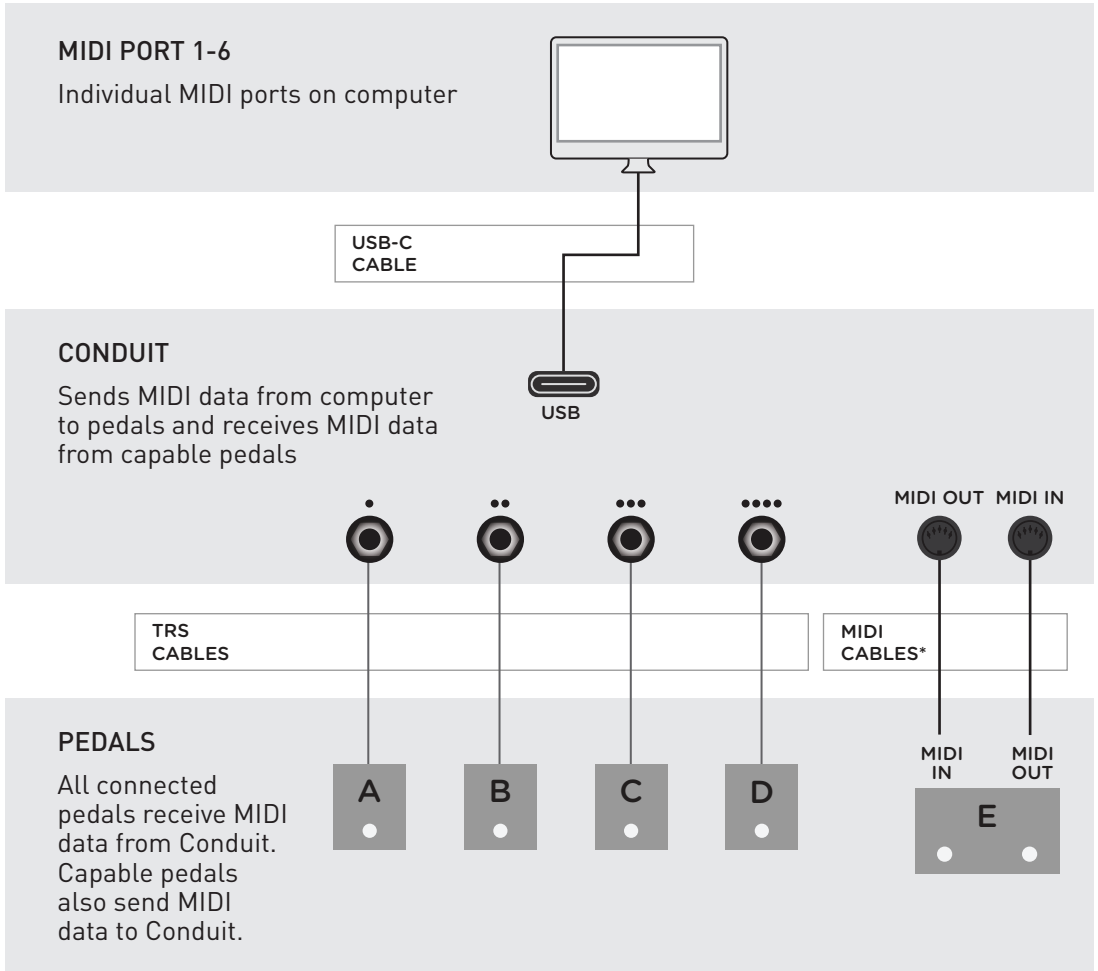
Note: Each TRS MIDI jack and the pair of 5-pin DIN jacks are capable of carrying data on all channels simultaneously. Set each connected device to the appropriate MIDI channel to ensure it is only receiving the appropriate data.

Note: When Conduit is not connected to a computer via USB, all MIDI data received at the 1/4" jacks from the pedals will be merged and sent to the 5-pin DIN **MIDI OUT** port.

Appendix 2
USB MIDI Interface

Appendix 2: USB MIDI Interface - Cable Connections

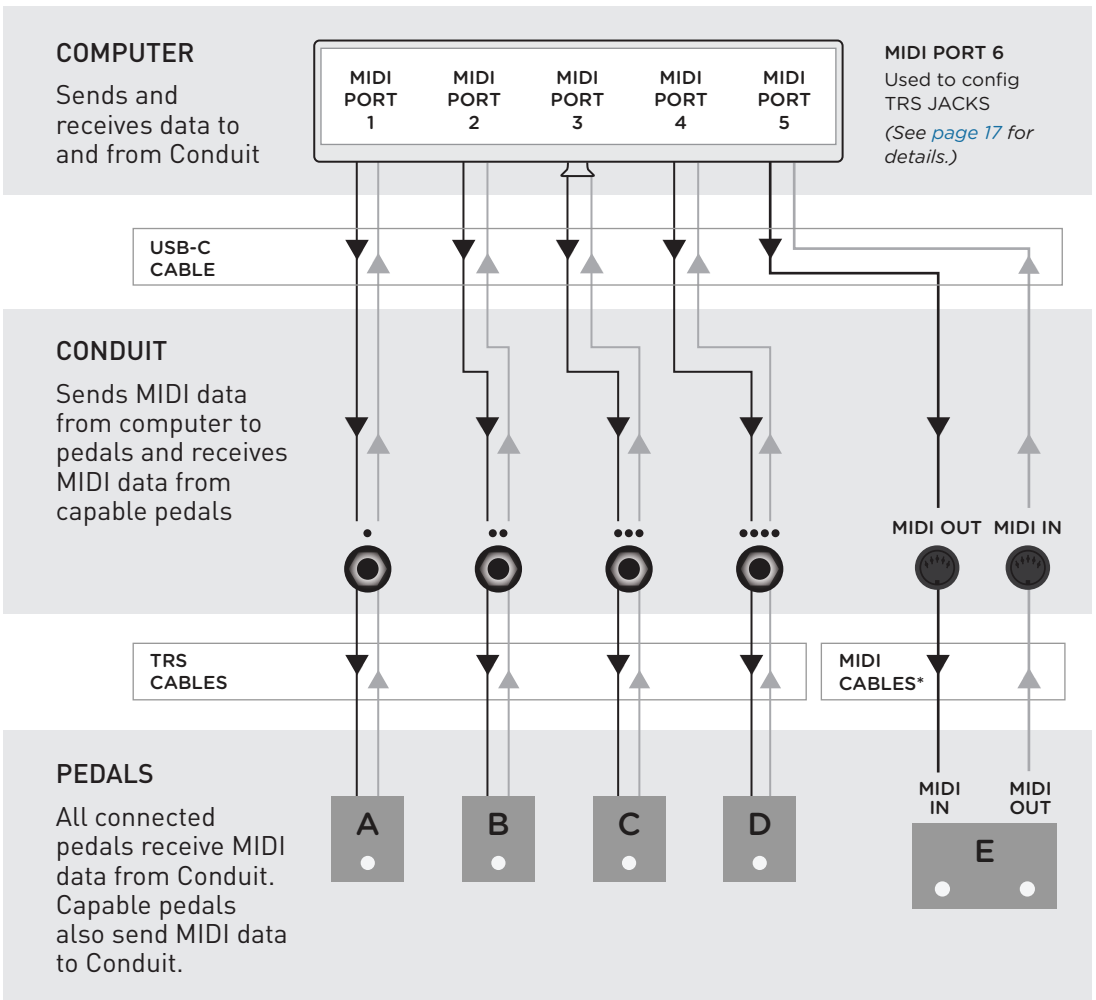
Conduit can also be used as a USB MIDI interface. When **USB** is connected, the flow of MIDI data is very different. The diagram below illustrates the cable connections to the inputs and outputs of Conduit.



***NOTE:** MIDI cables not included.

Appendix 2: USB MIDI Interface - Data Flow

When **USB** is connected, the flow of MIDI data is very different. Conduit will expose each of the TRS jacks and the 5-pin DIN pair as an independent MIDI device. The diagram below illustrates the flow of MIDI data and how the exposed MIDI ports on the computer relate to the inputs and outputs of Conduit when it is connected to a computer via USB.



*NOTE: MIDI cables not included.

Note: There is no merging of MIDI data in this mode.

Strymon Non-Transferrable Limited Warranty

Warranty

Strymon warrants the product to be free from defects in material and workmanship for a period of two (2) years from the original date of purchase when bought new from an authorized dealer in the United States of America or Canada. If the product fails within the warranty period, Strymon will repair or, at our discretion, replace the product at no cost to the original purchaser. Please contact your dealer for information on warranty and service outside of the USA and Canada.

Exclusions

This warranty covers defects in manufacturing discovered while using this product as recommended by Strymon. This warranty does not cover loss or theft, nor does the coverage extend to damage caused by misuse, abuse, unauthorized modification, improper storage, lightning, or natural disasters.

Limits of Liability

In the case of malfunction, the purchaser's sole recourse shall be repair or replacement, as described in the preceding paragraphs. Strymon will not be held liable to any party for damages that result from the failure of this product. Damages excluded include, but are not limited to, the following: lost profits, lost savings, damage to other equipment, and incidental or consequential damages arising from the use, or inability to use this product. In no event will Strymon be liable for more than the amount of the purchase price, not to exceed the current retail price of the product. Strymon disclaims any other warranties, expressed or implied. By using the product, the user accepts all terms herein.

How to Obtain Service Under this Warranty

For North American customers: Contact Strymon through our website at strymon.net/support for Return Authorization and information. Proof of original ownership may be required in the form of a purchase receipt.

For International Customers: Contact the Strymon dealer from which the product was purchased from in order to arrange warranty repair service. Strymon® is a division of Damage Control Engineering®, LLC.