

# Plexy™ Gateway

KASTA-PGW



## Gateway to integrate with third-party control systems

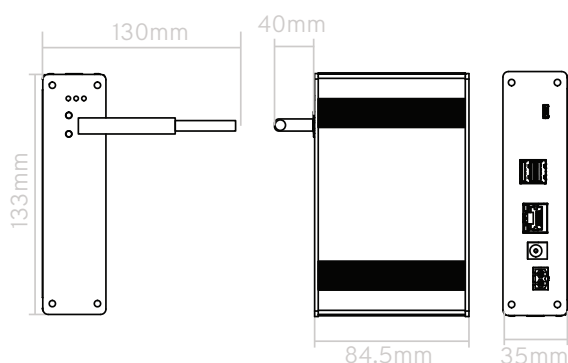
### FEATURES

- Provides reliable connectivity and control at the edge of IoT networks
- Suitable for use in TS35 DIN Rails
- ESD, over-voltage and reverse-voltage protection
- Wide power input range with EMI filtering
- Interfaces and connects a KASTA Bluetooth® mesh network with the Local Area Network
- 2.4GHz band Software Defined Radio (6LoWPAN, 802.15.4 mesh, long-range proprietary protocols)
- Low power consumption (sleep mode and efficient processor)
- Advanced security controller hardware
- Wi-Fi Extension Antenna (optional accessory)
- Plexy gateway is an OPTIONAL device and is only required when integrating to third party systems - CCGW must still be used if remote access and voice control is required
- Supports core KASTA functionality - control devices, groups, scenes, timers and schedules
- Packaged with d.c. power adaptor (including 1.5m cable)
- iOS and Android app setup and control
- 2 year warranty

### SPECIFICATIONS

Power Supply	12V d.c., 15W Terminals or Barrel Connector
Operating Ambient Temperature	-10 to 55°C
Bluetooth® Connectivity	Qualcomm®, Bluetooth® Low Energy 5.0, CSRmesh™
Wi-Fi Connectivity	Wi-Fi 802.11 a/b/g/n, 2.4 and 5 Ghz
Processor	Cortex-A53 (ARMv8) 64-bit @ 1.2GHz
Flash	16GB
RAM	1GB
OS/Distribution	Linux / Raspbian (default), Ubuntu, etc.
LoWPAN Radio 1 (2.4GHz)	MGM13P on-board, software-defined radio - can also support proprietary protocols
Radio Expansion Socket	XBee socket (SPI and UART)
Ethernet	100BT
2 Type A Host Ports (USB2.0)	USB type micro-B (CP2102 serial driver)
Low Power Modes	15mA "Eco mode", 250uA sleep with RTC wakeup
Security Controller	OPTIGA™ TPM SLM 9670 - Secure Key Store
Battery Backed RTC	Yes, >10 year estimated battery life
No. of supported KASTA systems	1
IP Rating	IP20
Colour	Black
Housing Material	Aluminium, Polycarbonate (PC)
LED Indicators	Blue, Green, Red
Standards Complied	AS/NZS 4268, AS/NZS CISPR 32

### DIMENSIONS



### CONNECTION

