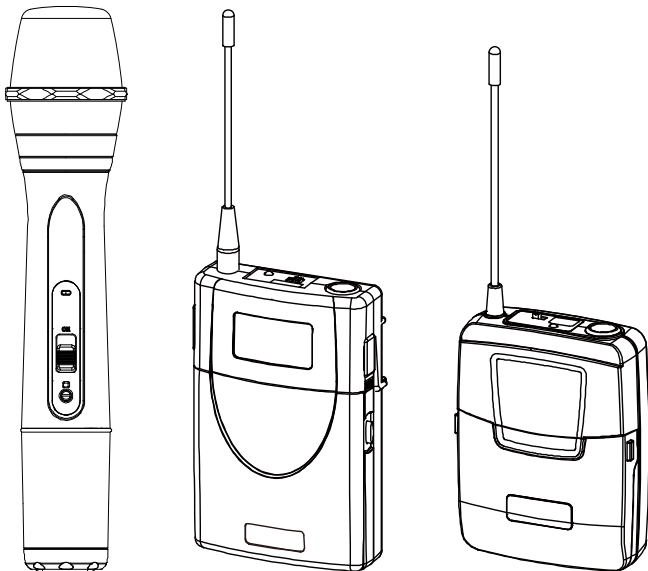


CHIAYO

Operation manual

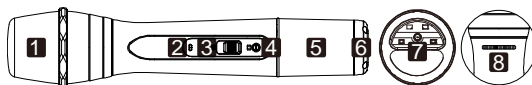
SQ-1016 / SQ-1016V
UHF Handheld Microphone
SM-2016 / SM-1016
UHF Belt-pack Transmitter



CHIAYO ELECTRONICS CO., LTD.

Parts and functions

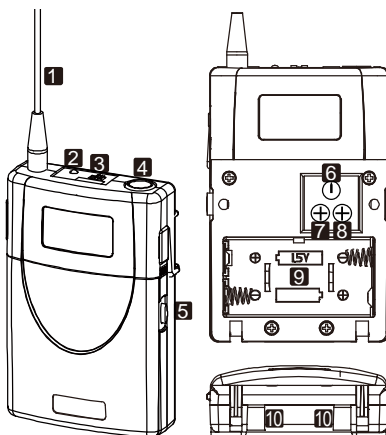
SQ-1016 / SQ-1016V handheld microphone



- | | | |
|---------------------------|------------------------|--------------------------------------|
| 1. Cartridge | 4. Channel switch | 7. Charging port |
| 2. Battery weak/power LED | 5. Battery compartment | 8. Volume control of SQ-1016V |
| 3. Power switch | 6. Bottom cap | |

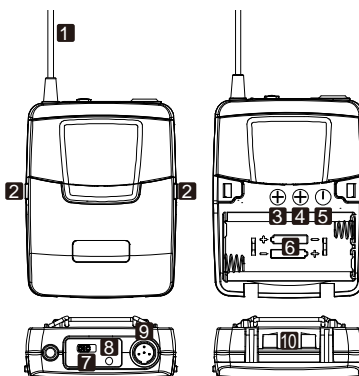
SM-1016 Belt-pack transmitter

1. Antenna
2. Battery power LED
3. Power switch
4. Audio input connector
5. Cover release button
6. Channel switch
7. High-impedance gain control (GT)
8. Low-impedance gain control (MT)
9. Battery compartment
10. Charging contacts



SM-2016 Belt-pack transmitter

1. Antenna
2. Cover release button
3. High-impedance gain control (GT)
4. Low-impedance gain control (MT)
5. Channel switch
6. Battery compartment
7. Power switch
8. Battery power LED
9. Audio input connector
10. Charging contacts



Battery installation & indicator

When the transmitter is switched ON, a red LED will blink once to denote the batteries installed are in good condition.

If the LED remains illuminated, it means the batteries are weak and require replacement.



This transmitter requires 2 x AA batteries to operate.

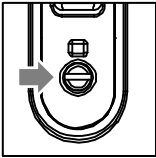
To install, remove the battery cover and slide the batteries into the battery compartment & replace the battery cover.

Note: Batteries contain a corrosive acid that may leak and damage the microphone when stored for a long period. Batteries should be removed from the microphone before storing without use for more than 4 weeks.

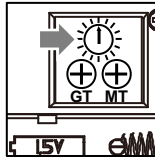
Channel setting

Please use the attached small screw driver to set the channel.

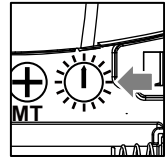
SQ-1016 / SQ-1016V



SM-1016

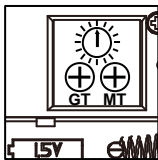


SM-2016



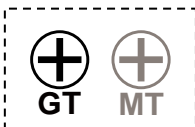
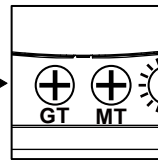
GAIN setting (SM-1016 | SM-2016)

Gain control enables the user to set different output levels.

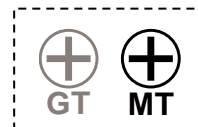


◀SM-1016

SM-2016▶



GT (LEFT) is for the use of instrument with high impedance, such as guitar.



MT (RIGHT) is for the use of low impedance such as laval or headset microphones

CHIAYO ELECTRONICS CO., LTD.

Http://www.chiayo.com.tw | Email: sales@chiayo.com.tw
Office: 30, Lane 27, Section 4, Jen-Ai Road, Taipei 10685, Taiwan
Tel: 886-2-27415741 | Fax: 886-2-27525242
Factory: 88, Chung-Hsiao Street 2, Chiayi 60080, Taiwan
Tel: 886-5-2711000 | Fax: 886-5-5767611

