

Catapult Rack RX - Order # R800 8040 00
 Catapult Rack TX - Order # R800 8039 00



The Catapult Rack TX and RX allow you to send mic or line-level signals from one location to another without signal loss, noise, or interference – and without any digital audio conversion needed. They accomplish this by utilizing the twisted pairs of conductors within a Cat 5 cable as if it were a typical multi-channel analog audio snake.

The Catapult Rack units operate like three modules in one chassis. Since each Cat 5 Ethernet cable can carry four channels, the 12 XLRs on each Catapult Rack are split into three banks, each with their own noise-eliminating ground lift switch and RJ45 Ethernet jacks on the rear panel. You can use three Ethernet cables to connect all 12 channels to a single location or split them off to any of the Radial Catapult stage boxes, providing you with a fully customizable audio snake system.

Features

- 12 XLR connectors (TX) or XLRM (RX)
- Neutrik etherCON RJ45 connectors
- Ground lifts to eliminate noise
- Rugged steel enclosure

Benefits

- Send audio signals over lightweight Cat 5 cables
- Compatible with all other Radial Catapult modules
- Utilize existing Cat 5 wiring within a venue
- Reversible rack ears for added flexibility

Additional Catapult Modules



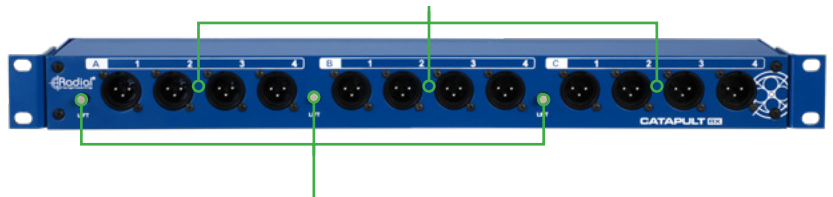
Catapult Mini (XLR or TRS)



Catapult TX4/RX4 (Transformer isolation available)

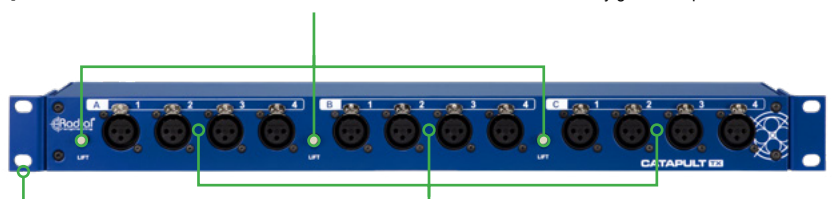
Catapult Rack RX

XLR Inputs – Locking XLRs are provided in banks of four, each bank corresponds to a pair of rear panel RJ45 connectors to transmit analog audio over Cat 5 cabling.



Catapult Rack TX

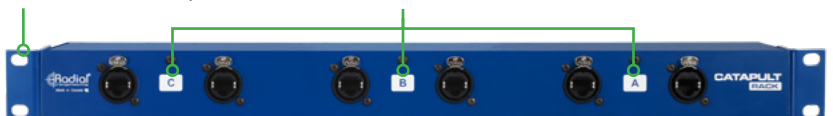
Ground Lift – Lifts pin-1 on all four of the corresponding XLR connectors to remove hum and buzz caused by ground loops



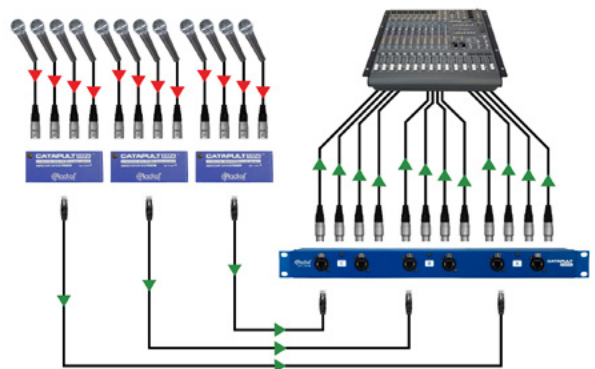
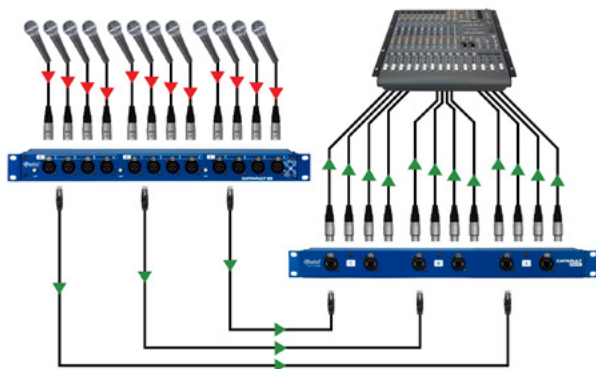
XLR Outputs – Locking XLRs are provided in banks of four, each bank corresponds to a rear panel RJ45 connector to receive analog audio over a Cat 5 cable.

Reversible Rack Ears – Can be placed on either side of the Catapult Rack, allowing for the XLRs or the RJ45 connectors to face outwards for added flexibility

RJ45 Input/Output & Thru – Standard Ethernet connections for feeding four channels of audio to another Catapult module. Both connectors are wired in parallel with the front panel XLRs. Rugged Neutrik etherCON jacks provide a robust connection for live touring use



(Common Back)



Using the Catapult Rack TX with the Catapult Rack RX

The Catapult Rack makes it easy to feed 12 channels of analog audio over just three economical Cat 5 cables. Leave your bulky, heavy and expensive multichannel audio snakes at home for your next gig.

Create stage zones with the Catapult Rack

Set the Catapult Rack RX at your PA console and place three compact Catapult Mini TX units at different zones on stage. This cuts down on cable clutter across the stage and streamlines your setups and teardowns.